

# State of Wyoming Corner Record

(In compliance with the *CORNER PERPETUATION AND FILING ACT*, Wyoming Statutes, 1997 Section 33-29-140 et. seq., and the Rules and Regulations of the Board of Professional Engineers and Professional Land Surveyors)

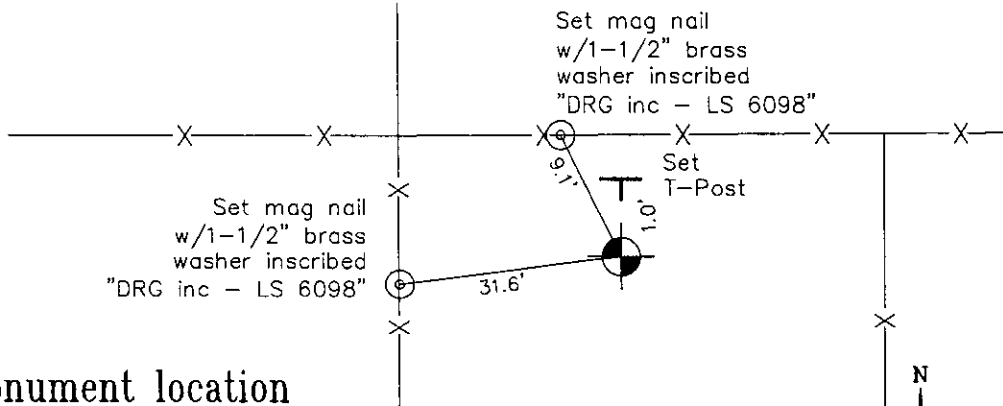
Reverse side of this form may be used if more space is needed.

Record of original survey and citation of source of historical information (if corner is lost or obliterated). Description of corner monumentation evidence found and/or monument and accessories established to perpetuate the location of this corner. Sketch of relative location of monument, accessories, and reference points with course and distance to adjacent corner(s) (if determined in this survey). Method and rationale for reestablishment of lost or obliterated corner.

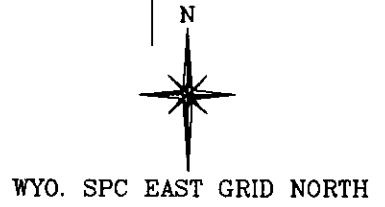
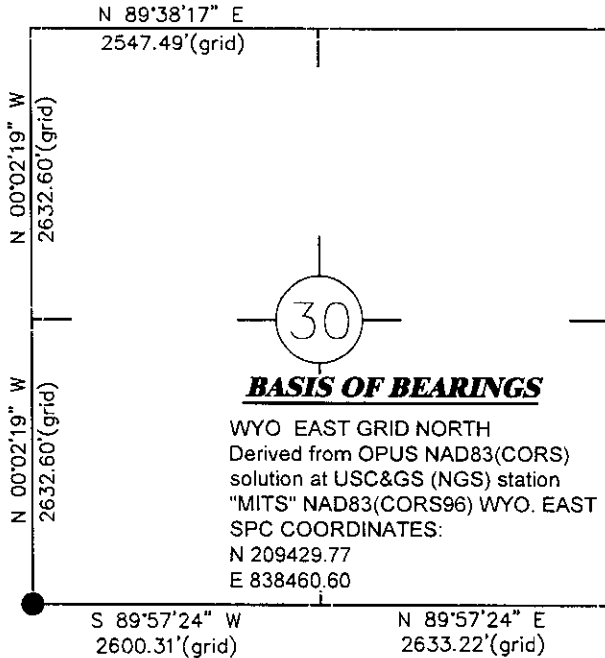
U.S.G.L.O. 1870 Record: Set a limestone 18x7x5 for corner to sections 25, 36, 30 & 31.

No evidence of monument or accessories found. Corner is lost.

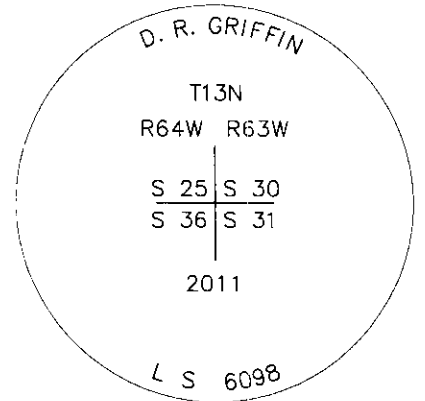
Establish corner position by single proportion from the found monument (no. 4 rebar) for the west quarter corner of Section 31 and the found monument (no. 4 rebar) for the northwest corner of Section 30. Set a 2-1/2" Aluminum Cap on a 30" no. 6 rebar 0.3' above ground and inscribed as shown below.



## Monument location



Set by single proportion a 2-1/2" Aluminum Cap on a 30" no. 6 rebar 0.3' above ground and inscribed as shown below.



## Monument Inscription

Date of Field Work: 3/5/11

Office Reference: 18316

## Cross Index Plat

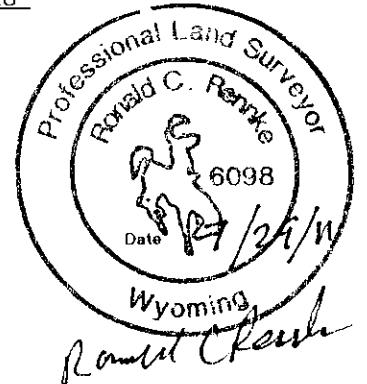
1	2	3	4	5	6	7	8	9	10	11	12	13	14	15	16	17	18	19	20	21	22	23	24	25	
A	+	+	+	+	+	+	+	+	+	+	+	+	+	+	+	+	+	+	+	+	+	+	+	+	A
B	+	+	+	+	+	+	+	+	+	+	+	+	+	+	+	+	+	+	+	+	+	+	+	+	B
C	+	6	+	+	5	+	+	4	+	+	3	+	+	2	+	+	1	+	+	+	+	+	+	+	C
D	+	+	+	+	+	+	+	+	+	+	+	+	+	+	+	+	+	+	+	+	+	+	+	+	D
E	+	+	+	+	+	+	+	+	+	+	+	+	+	+	+	+	+	+	+	+	+	+	+	+	E
F	+	+	+	+	+	+	+	+	+	+	+	+	+	+	+	+	+	+	+	+	+	+	+	+	F
G	+	7	+	+	8	+	+	9	+	+	10	+	+	11	+	+	12	+	+	+	+	+	+	+	G
H	+	+	+	+	+	+	+	+	+	+	+	+	+	+	+	+	+	+	+	+	+	+	+	+	H
J	+	+	+	+	+	+	+	+	+	+	+	+	+	+	+	+	+	+	+	+	+	+	+	+	J
K	+	+	+	+	+	+	+	+	+	+	+	+	+	+	+	+	+	+	+	+	+	+	+	+	K
L	+	18	+	+	17	+	+	16	+	+	15	+	+	14	+	+	13	+	+	+	+	+	+	+	L
M	+	+	+	+	+	+	+	+	+	+	+	+	+	+	+	+	+	+	+	+	+	+	+	+	M
N	+	+	+	+	+	+	+	+	+	+	+	+	+	+	+	+	+	+	+	+	+	+	+	+	N
O	+	+	+	+	+	+	+	+	+	+	+	+	+	+	+	+	+	+	+	+	+	+	+	+	O
P	+	19	+	+	20	+	+	21	+	+	22	+	+	23	+	+	24	+	+	+	+	+	+	+	P
Q	+	+	+	+	+	+	+	+	+	+	+	+	+	+	+	+	+	+	+	+	+	+	+	+	Q
R	+	+	+	+	+	+	+	+	+	+	+	+	+	+	+	+	+	+	+	+	+	+	+	+	R
S	+	+	+	+	+	+	+	+	+	+	+	+	+	+	+	+	+	+	+	+	+	+	+	+	S
T	+	30	+	+	29	+	+	28	+	+	27	+	+	26	+	+	25	+	+	+	+	+	+	+	T
U	+	+	+	+	+	+	+	+	+	+	+	+	+	+	+	+	+	+	+	+	+	+	+	+	U
V	+	+	+	+	+	+	+	+	+	+	+	+	+	+	+	+	+	+	+	+	+	+	+	+	V
W	+	+	+	+	+	+	+	+	+	+	+	+	+	+	+	+	+	+	+	+	+	+	+	+	W
X	+	31	+	+	32	+	+	33	+	+	34	+	+	35	+	+	36	+	+	+	+	+	+	+	X
Y	+	+	+	+	+	+	+	+	+	+	+	+	+	+	+	+	+	+	+	+	+	+	+	+	Y
Z	+	+	+	+	+	+	+	+	+	+	+	+	+	+	+	+	+	+	+	+	+	+	+	+	Z

Firm/Agency, Address

RONALD C. RENNKE  
D. R. GRIFFIN & ASSOCIATES  
1414 ELK STREET  
ROCK SPRINGS, WYOMING 82901  
Telephone Number: (307) 362-5028

This corner record was prepared by me or under my direction and supervision.

*SEAL & SIGNATURE*



Corner Name Southwest Corner Section 30, T 13 N, R 63 W, 6th P.M.  
Same as Southeast Corner Section 25, T 13 N, R 64 W, 6th P.M.  
County: Laramie, Wyoming

Cross-Index No.: V-1  
Cross-Index No.: V-25